

C Series | LK4C | LK6C | LK8C | LK10C | LK12C

LIFTKING
Manufacturing Corp.

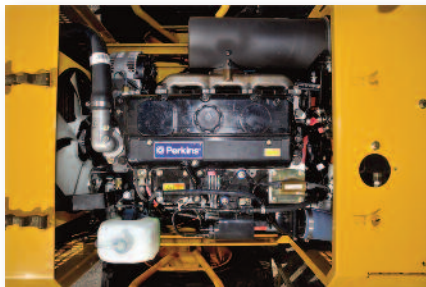
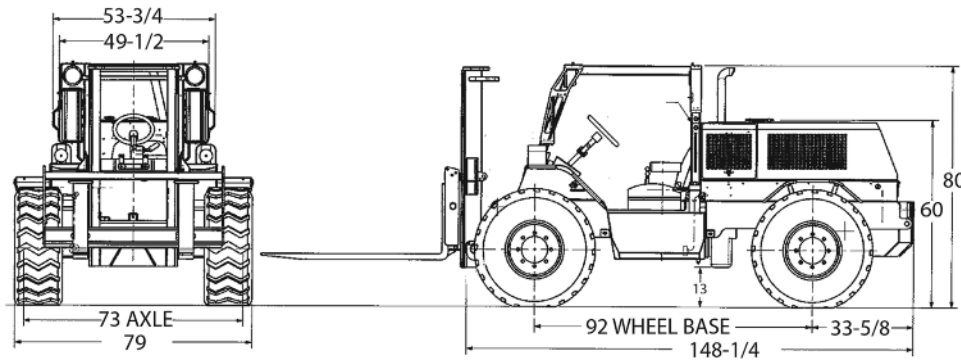


COMPACT LOW PROFILE

C Series Specifications

Capacity @ 24" LC	4,000 - 12,000 Lbs.	Side Shift	Fork Positioning Ind.
Length, Less Forks	148" - 168"	Tilt Forward	10°
Height, Overhead Guard	80"	Tilt Rearward	20°
Total Width	79"	Truck Oscillation	10° Each Side
Wheelbase	92"	Forks	48"
Lift Height	100"	Steering	2 Wheel, 4 Wheel, Crab
Collapsed Mast	80"	Drive	2 Wheel, 4 Wheel
Turning Radius	168"	Weight	10,000 - 19,000 Lbs.
Ground Clearance	13"	Electrical System	12v Or 24v
Fording Depth	36"	Gradeability	45%

Engine	Perkins Tier 3, 4 Cylinder 99 Hp Turbo Diesel
Transmission	Dana / Clark 4-Speed Powershift
Axle	Dana / Clark Limited Slip With Planetary Hubs
Brakes, Parking	SAHR Submerged Multi-Disc, Oil Cooled
Brakes, Service	Submerged Multi-Disc, Oil Cooled
Tires	All Terrain, 15 X 19.5, 14ply



STANDARD EQUIPMENT:

Heavy Duty Clearview Roller Mast with Dual Chains

- Hydraulic Mast side shift • FOPS Operator compartment
- Oil Cooled Submerged Disc Brakes • Power Steering
- Soft-shift Powershift Transmission • Limited Slip Differential
- Tier 3 Turbo Diesel Engine • Headlights, tail lights, reverse lights, and turn signals with safety guards • External side view mirrors. • Wide-grip Handrails • Extra wide steps.
- Electric Horn and automatic Backup alarm • Tilt steering column with anti-restart ignition and neutral safety interlock • Adjustable vinyl suspension seat with armrests and retractable safety belt • Front fenders and rear fenders are extra thick steel for maximum safety and durability
- Engine oil pressure gauge, fuel gauge, tachometer, hour meter, and warning lights • Operator, maintenance and illustrated parts manuals included • 1 Year 2000 hours limited warranty (2 year engine warranty)

OPTIONAL EQUIPMENT:

Various mast/carriage/fork types and sizes • Various engines

- Bucket attachments • Lockable sliding engine hood, fuel and hydraulic caps • pre-cleaner • High durability powder coat yellow paint with black trim • Adjustable height Strobe Light • Additional lighting • Auxiliary • DS Rated • Vinyl Roll-up Door • Tinted Windows • Sun visor • Power Assisted Brakes • Deadman seat • Safety-Start Seatbelt • Heated Mirrors • Cold Weather Package • 12V Outlet • Radio • Cup holders • Enclosed all weather operator compartment with HD heater, sliding windows, wipers, lift-off doors • ROPS Operator compartment • Air Conditioning • Air ride suspension seat with arm rests and retractable safety belt • Foam filled tires • Towing package • Contact dealer for other options.

Lifting reserves the right to make changes in specifications shown, herein, and improvements, or discontinue manufacture at any time without notice or obligation. The information contained herein is general in nature and is not intended for specific application purposes.

7135 Islington Avenue, Woodbridge, Ontario. L4L 1V9
Tel: 905-265-3965 | Fax: 905-851-6396