

NOBLE | R60 | R80 | R100 | R120

Manitex ▲ LIFTKING



ROUGH TERRAIN FORKLIFTS

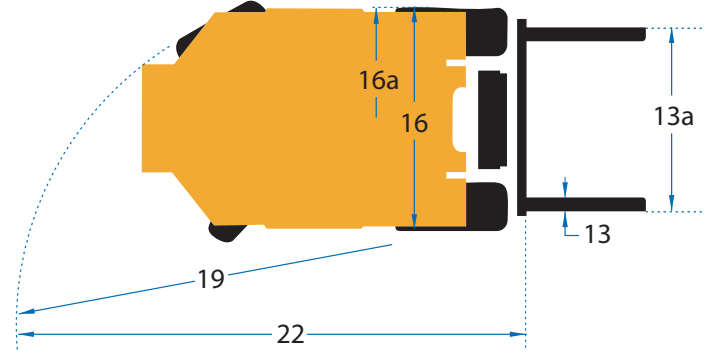
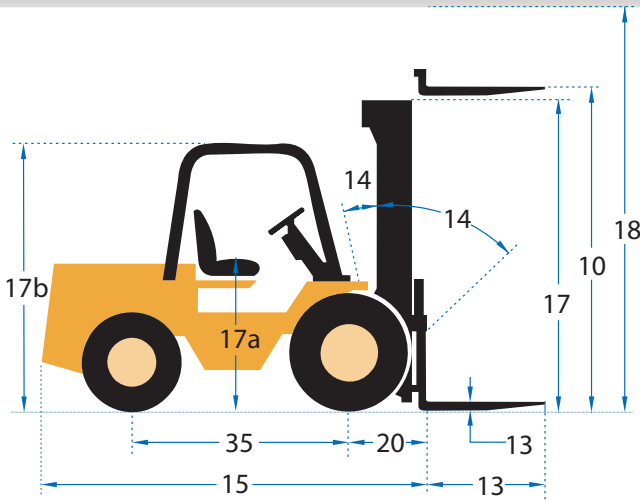


Steer Column : Self contained, fully adjustable, tilt and telescopic steer column



Leaf Spring Suspension : Offering superior comfort and load control.





Characteristics

Model	
Drive Type	
Rated Capacity	lb (kg)
Load Center	in (mm)

Dimensions

10	Lift, standard mast	maximum fork height, loaded	in (mm)
		freelift fork height	in (mm)
13	Forks	length x width x thickness	in (mm)
13a	Fork Spacing, out-to-out	minimum / maximum	in (mm)
14	Mast Tilt	forward / back	degrees
15	Overall Dimensions	length to fork face	in (mm)
16		width	in (mm)
17	height	with lowered mast	in (mm)
17a		seat height	in (mm)
17b		to top of overhead guard	in (mm)
18		with extended mast (top of carriage)	in (mm)
19	Minimum Outside Turning Radius		in (mm)
20	Load Moment Constant	from center of front axle to fork face	in (mm)
22	Minimum Aisle - 90 degree stack	(add load length and clearance)	in (mm)

Performance

Maximum Travel Speed	standard	mph (km/h)	
	towable (R60 & R80 2WD only)	mph (km/h)	
Lift Speed	loaded / unloaded	fpm (m/s)	
Lowering Speed	loaded / unloaded	fpm (m/s)	
Drawbar Pull @ 1.0 mph (1.6 km/h)	loaded	standard	lb (kg)
		towable (R60 & R80 2WD only)	lb (kg)
Gradeability @ 1.0 mph (1.6 km/h)	loaded	standard and towable	lb (kg)
	unloaded		%

Weight

Empty		lb (kg)	
Axle Load	loaded	front	lb (kg)
		rear	lb (kg)
	unloaded	front	lb (kg)
		rear	lb (kg)

Chassis

Tires	dimensions	front standard tires	in
		rear	in
35 Wheelbase			in (mm)
Tread Width	front w/standard tires		in (mm)
	rear		in (mm)
Ground Clearance	with load	at lowest point	in (mm)
		at center of wheel base	in (mm)
Brakes	service (standard)		
	service towable (R60 & R80 2WD only)		
	parking		

Power Train

Engine	type	
	maximum power	hp (KW)
	maximum torque	ft-lbs (Nm)
	cylinders / displacement	cu.in (L)
Transmission	type	
	no. speeds forward / reverse	
Relief Pressure		psi (kPa)

R60		R80		R100		R120	
2WD	4WD	2WD	4WD	2WD	4WD	2WD	4WD
6000 (2720)		8000 (3650)		10000 (4540)		12000 (5445)	
24 (610)		24 (610)		24 (610)		24 (610)	

R60		R80		R100		R120	
2WD	4WD	2WD	4WD	2WD	4WD	2WD	4WD
168 (4270)		168 (4270)		168 (4270)		168 (4270)	
5.7 (145)		5.7 (145)		5.7 (145)		5.7 (145)	
48x5x2 (1220x125x50)		48x5x2 (1220x125x50)		48x5x2 (1220x125x50)		48x5x2 (1220x125x50)	
9.8 / 76.8 (250 / 1950)		9.8 / 76.8 (250 / 1950)		9.8 / 76.8 (250 / 1950)		9.8 / 76.8 (250 / 1950)	
45 / 12		45 / 12		45 / 12		45 / 12	
146 (3710)		146 (3710)		162 (4115)		166 (4215)	
88 (2235)		89 (2260)	88 (2235)	88 (2235)	93.5 (2375)	88 (2235)	93.5 (2375)
124.5 (3160)	130.5 (3315)	124.5 (3160)	130.5 (3315)	131.5 (3340)	137.5 (3490)	131.5 (3340)	137.5 (3490)
54 (1370)	59 (1500)	54 (1370)	59 (1500)	54 (1370)	61 (1550)	54 (1370)	61 (1550)
98 (2490)	103.5 (2630)	98 (2490)	103.5 (2630)	98 (2490)	105 (2670)	98 (2490)	105 (2670)
217.5 (5525)	223.5 (5675)	217.5 (5525)	223.5 (5675)	224.5 (5700)	232 (5890)	224.5 (5700)	232 (5890)
180 (4570)	186.5 (4740)	180 (4570)	186.5 (4740)	212 (5385)	250 (6350)	212 (5385)	250 (6350)
28.8 (732)	32.7 (830)	28.8 (732)	32.7 (830)	29.2 (740)	33 (840)	29.2 (740)	33 (840)
204.5 (5195)	220 (5590)	204.5 (5195)	220 (5590)	294 (7470)	335 (8510)	294 (7470)	335 (8510)

R60		R80		R100		R120	
2WD	4WD	2WD	4WD	2WD	4WD	2WD	4WD
19.5 (31.5)	15 (24)	19.5 (31.5)	15 (24)	19.5 (31.5)	13 (21)	19.5 (31.5)	13 (21)
30.5 (49)	N/A	30.5 (49)	N/A	N/A		N/A	
60 / 67 (0.31 / 0.34)		52 / 67 (0.26 / 0.34)		52 / 67 (0.26 / 0.34)		52 / 67 (0.26 / 0.34)	
66 / 48 (0.34 / 0.24)		66 / 48 (0.34 / 0.24)		66 / 48 (0.34 / 0.24)		66 / 48 (0.34 / 0.24)	
10700 (4850)	10540 (4780)	13000 (5900)	10730 (4870)	11000 (4990)		11000 (4990)	
9740 (4420)	N/A	9430 (4275)	N/A	N/A		N/A	
4730 (2145)	10600 (4810)	5050 (2290)	10800 (4900)	8850 (4015)	11000 (4990)	8850 (4015)	11000 (4990)
52	59	53	50	44	42	44	42
31	59	30	58	28	58	28	58

R60	R80	R100	R120	R150	R180	R200	R250
12700 (5760)	14800 (6715)	14100 (6395)	16000 (7255)	17200 (7800)	18300 (8300)	18500 (8390)	19600 (8890)
15910 (7220)	17000 (7710)	18900 (8975)	20000 (9075)	23800 (10835)	25150 (11410)	26570 (12050)	28080 (12735)
2790 (1265)	3800 (1725)	3200 (1450)	4000 (1815)	3520 (1595)	3150 (1430)	3930 (1780)	3520 (1595)
6100 (2765)	6650 (3015)	5800 (2630)	6200 (2810)	7880 (3575)	9100 (4130)	8480 (3845)	9750 (4420)
6600 (2995)	8150 (3700)	8300 (3765)	9800 (4445)	9320 (4230)	9200 (4175)	10020 (4545)	9850 (4470)

15x19.5, 16 ply	15x19.5, 12 ply	18x19.5, 16 ply	15x19.5, 12 ply	18x19.5, 16 ply		18x19.5, 16 ply	
14x17.5, 10 ply	15x19.5, 12 ply	14x17.5, 10 ply	15x19.5, 12 ply	14x17.5, 10 ply	18x19.5, 16 ply	14x17.5, 10 ply	18x19.5, 16 ply
82.7 (2100)	78.4 (1990)	82.7 (2100)	78.4 (1990)	98.3 (2495)	94.2 (2390)	98.3 (2495)	94.2 (2390)
73.6 (1870)	69.7 (1770)	73.6 (1870)	69.7 (1770)	73.6 (1870)	75 (1905)	73.6 (1870)	75 (1905)
73.2 (1860)	71.7 (1870)	73.2 (1860)	71.7 (1870)	73.2 (1860)	71.7 (1870)	73.2 (1860)	71.7 (1870)
9.5 (241)	7.3 (186)	9.5 (241)	7.3 (186)	9.5 (241)	8.8 (223)	9.5 (241)	8.8 (223)
12.1 (307)	15.3 (388)	12.1 (307)	15.3 (388)	12.1 (307)	16.8 (427)	12.1 (307)	16.8 (427)
Enclosed Wet Multiple Disc,		Enclosed Wet Multiple Disc,		Enclosed Wet Multiple Disc,		Enclosed Wet Multiple Disc,	
Drum, Hydraulic		Drum, Hydraulic		N/A		N/A	
Disc, Mechanical Lever		Disc, Mechanical Lever		Disc, Mechanical Lever		Disc, Mechanical Lever	

CAT C4.4 Tier 3 Turbo Diesel	CAT C4.4 Tier 3 Turbo Diesel	CAT C4.4 Tier 3 Turbo Diesel	CAT C4.4 Tier 3 Turbo Diesel
91 (68) @ 2200 RPM	91 (68) @ 2200 RPM	91 (68) @ 2200 RPM	91 (68) @ 2200 RPM
390 (530) @ 1400 RPM	390 (530) @ 1400 RPM	390 (530) @ 1400 RPM	390 (530) @ 1400 RPM
4 cyl. / 268.5 (4.4)	4 cyl. / 268.5 (4.4)	4 cyl. / 268.5 (4.4)	4 cyl. / 268.5 (4.4)
power shuttle	power shuttle	power shuttle	power shuttle
4 / 4	4 / 4	4 / 4	4 / 4
2500 (17240)	2500 (17240)	2500 (17240)	2500 (17240)



STANDARD EQUIPMENT:

Heavy Duty Clearview Roller Mast with Dual Chains • Hydraulic Mast side shift • Oil Cooled Submerged Disc Brakes • Manual dry-disc parking brake • Power Steering • Headlights, tail lights, reverse lights, and turn signals with safety guards • External side view mirrors • Reinforced Overhead Guard • Wide-grip Handrails • Extra wide steps • Electric Horn and automatic Backup alarm • Tilt steering column with anti-restart ignition and neutral safety interlock • Adjustable vinyl suspension seat with arm rests and retractable safety belt • Engine oil pressure gauge, fuel gauge, tachometer, hour meter, and warning lights • Lockable sliding engine hood, fuel and hydraulic caps • High-mount air intake with pre-cleaner • Designated tie-down lugs • Operator, maintenance and illustrated parts manuals included • 1 Year 2000 hours warranty

OPTIONAL EQUIPMENT:

Heavy Duty Clearview Roller Mast with Dual Chains • Hydraulic Mast side shift • Oil Cooled Submerged Disc Brakes • Manual dry-disc parking brake • Power Steering • Headlights, tail lights, reverse lights, and turn signals with safety guards • External side view mirrors • Reinforced Overhead Guard • Wide-grip Handrails • Extra wide steps • Electric Horn and automatic Backup alarm • Tilt steering column with anti-restart ignition and neutral safety interlock • Adjustable vinyl suspension seat with arm rests and retractable safety belt • Engine oil pressure gauge, fuel gauge, tachometer, hour meter, and warning lights • Lockable sliding engine hood, fuel and hydraulic caps • High-mount air intake with pre-cleaner • Designated tie-down lugs • Operator, maintenance and illustrated parts manuals included • 1 Year 2000 hours warranty

* **Lo-Profile configuration available for working inside ISO shipping containers.**

ALSO AVAILABLE



RT Series



RC Series



RC Lo-Pro

Lowry Industrial Lift Trucks
Handle Heavy Loads While Saving Space

Military
Used Worldwide in Peacetime and Wartime

Dynalugger
A Complete System to Fit Your Handling Needs

Transporter
Move Any Heavy Object

Straight Mast
Exceptional Ground Clearance, Ergonomics, Easy Operation

Noble Series
Innovative Engineering, Design Excellence and Quality

Manitex Liftking reserves the right to make changes in specifications shown, herein, and improvements, or discontinue manufacture at any time without notice or obligation. The information contained herein is general in nature and is not intended for specific application purposes.