

ML Series | ML6 | ML8 | ML10 | ML12 | ML14 | ML18 | ML20 | ML22

LIFTKING
Manufacturing Corp.



MULTI-LOADER FORKLIFTS

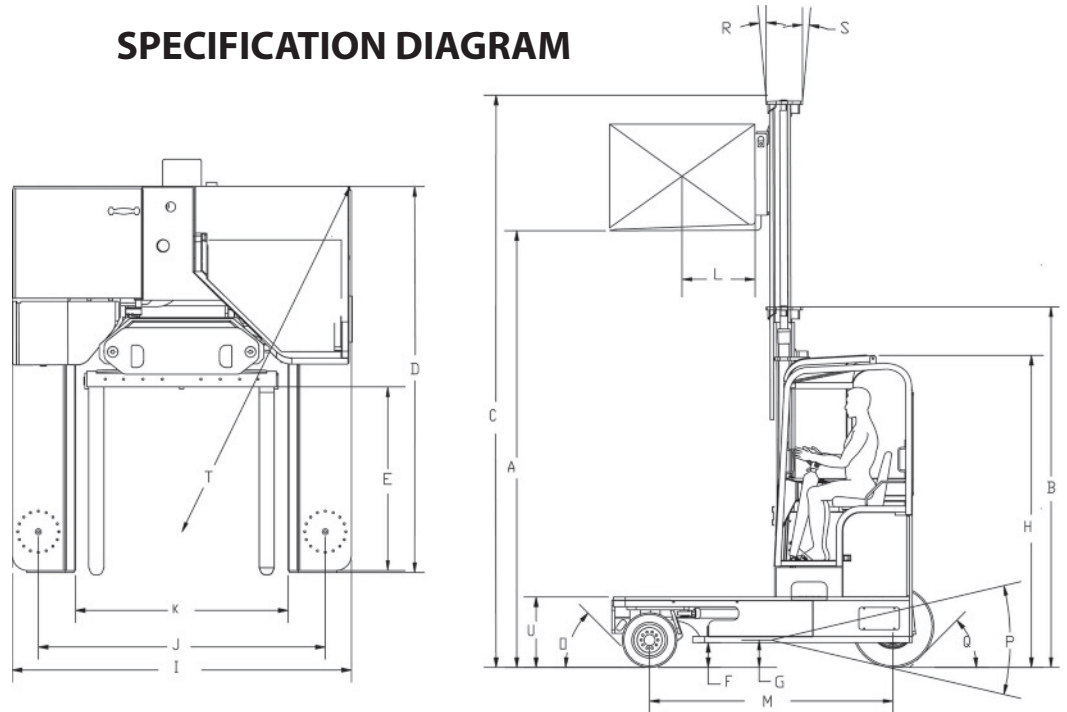
ML Series | ML6 | ML8 | ML10 | ML12 | ML14 | ML18 | ML20 | ML22

ML SERIES | Load capacity 6000 lbs – 22,000 lbs (2722 - 9979 kg) | Lift height 12 ft – 24 ft (3.6 m – 7.3 m)

The ML Series is a four way Multi-loader with all-wheel drive, all-wheel steer and all-wheel brake that is offered in capacities from 6000 to 22,000 lbs (2722 - 9977 kg) and lift heights from 12 - 24 ft (3.6 - 7.3 m). It undertakes the duties of aisle truck, traditional forklift and sideloader. Equipment features include a hydrostatic drive system, a torsion resistant frame consisting of up to 8 in (203 mm) thick steel plate and a ergonomically designed operator's compartment. Spreader carriages are offered up to 30 in (762 mm) with outer fixed forks. Guide rollers can be added for specialty applications. The ML Series is ideal for handling long or normal loads that have to go from inside or outside, on to or off of racks and narrow aisles and doorways.



SPECIFICATION DIAGRAM



SPECIFICATION	Ref	ML6	ML8	ML10	ML12	ML14	ML18	ML20	ML22
Capacity @ 24 in (610 mm) load centre	L lbs (kg)	6,000 (2722)	8,000 (3629)	10,000 (4,536)	12,000 (5,443)	14,000 (6,350)	18,000 (8,165)	20,000 (9,072)	22,000 (9,979)
Standard mast lift height	A in (mm)	144 (3658)						180 (4572)	
Height mast closed	B in (mm)	115 (2921)			120 (3048)			135 (3429)	
Maximum mast raised	C in (mm)	186 (4724)			192 (4877)			228 (5791)	
Platform length	in (mm)	48 (1219)						60 (1524)	
Overall length	D in (mm)	99 (2515)			100 (2540)	101 (2565)	116 (2946)	121 (3073)	
Mast travel	E in (mm)	48 (1219)						59 (1499)	62 (1575)
Ground clearance under frame	F in (mm)	8 (203)			11 (279)			12 (305)	8 (203)
Ground to wheelbase centre	G in (mm)	9 (229)			11.5 (292)			6 (152)	
Height to overhead guard	H in (mm)	102 (2591)						108 (2743)	
Width	I in (mm)	87.5 (2223)			92.5 (2350)	104 (2642)	110 (2794)		
Outside spread of fork arms	in (mm)	48 (1219)						58 (1473)	
Track front	J in (mm)	74 (1880)			79 (2007)	90 (2286)	96 (2438)	98 (2489)	
Frame opening	K in (mm)	55 (1397)						65 (1651)	
Wheel base	M in (mm)	80.5 (2045)			78 (1981)			94 (2388)	101 (2565)
Approach angle	O				45°				
Ramp angle	P				30°				
Departure angle	Q				45°				
Unladen weight	lbs (kg)	12,100 (5,488)	13,860 (6,287)	14,469 (6,563)	17,464 (7,922)	19,259 (8,736)	25,447 (11,543)	30,200 (13,698)	34,953 (15,854)
Maximum ground speed		10 mph / 16 kph							
Gradeability		20%						15%	
Diesel/LPG/Gas engine		Various							
Fork section	in (mm)	6 x 46 (152 x 1168)						6 x 58 (152 x 1473)	8 x 60 (203 x 1524)
Front tire OD/Width	in (mm)	18 x 8 (457 x 203)		18 x 9 (457 x 228)	23 x 9 (584 x 229)			22 x 12 (560 x 305)	
Rear tire OD/Width	in (mm)	27 x 10 (659 x 254)			32 x 8 (813 x 203)			32 x 12 (813 x 305)	33 x 14 (838 x 356)
Forward tilt	R				5°				
Backward tilt	S				5°				
Minimum outside radius	T in (mm)	99 (2515)			101 (2565)	108 (2743)	118 (2997)	121 (3074)	
Platform height	U in (mm)	24 (610)						28 (711)	

Specifications subject to change without notice

ANY JOB, ANY TIME ANYWHERE

No matter what the application, Liftking's line of machines are made for it. General construction, Building construction, Automotive recycling, Lumber mills and yards, Steel mills and yards, Mining facilities, Manufacturing and Warehousing facilities, Sod farms and nurseries, Rail yards, Military applications, our machines have you covered.

LOAD CHARTS

Model	Lift Height (ft / m)	Capacity @ 24 in (610 mm) load centre (lbs / kg)	Capacity @ 26 in (660 mm) load centre (lbs / kg)	Capacity @ 30 in (762 mm) load centre (lbs / kg)	Capacity @ 34 in (864 mm) load centre (lbs / kg)	Capacity @ 36 in (914 mm) load centre (lbs / kg)
ML6	24 (7.3)	2200 (998)	1600 (726)	1100 (499)	750 (340)	500 (227)
	18 (5.5)	3700 (1678)	3000 (1361)	2600 (1179)	2200 (998)	2000 (907)
	12 (3.6)	6000 (2722)	5300 (2404)	4800 (2177)	4500 (2041)	4200 (1905)
ML8	24 (7.3)	3000 (1361)	2100 (953)	1500 (680)	1000 (454)	600 (272)
	18 (5.5)	5000 (2268)	4100 (1860)	3500 (1588)	3000 (1361)	2600 (1179)
	12 (3.6)	8000 (3629)	7100 (3221)	6500 (2948)	6000 (2722)	5600 (2540)
ML10	24 (7.3)	4000 (1814)	2800 (1270)	2000 (907)	1300 (590)	800 (363)
	18 (5.5)	6000 (2722)	4800 (2177)	4100 (1860)	3600 (1633)	3000 (1361)
	12 (3.6)	10,000 (4536)	8800 (3992)	8100 (3674)	7500 (3402)	7000 (3175)
ML12	24 (7.3)	5000 (2268)	3500 (1587)	1023 (464)	667 (303)	407 lbs (185)
	18 (5.5)	8000 (3629)	6560 (2976)	5600 (2540)	4800 (2177)	4160 (1887)
	12 (3.6)	12,000 (5443)	10,650 (4831)	9750 (4423)	9000 (4082)	8400 (3810)
ML14	24 (7.3)	6000 (2722)	4200 (1905)	3000 (1361)	2000 (907)	1200 (544)
	18 (5.5)	10,000 (4536)	8200 (3719)	7000 (3175)	6000 (2722)	5200 (2359)
	12 (3.6)	14,000 (6350)	12,400 (5625)	11,300 (5126)	10,500 (4763)	9800 (4445)
ML18	24 (7.3)	7700 (3493)	7300 (3311)	6700 (3039)	6200 (2812)	5900 (2676)
	18 (5.5)	12,850 (5829)	12,000 (5443)	11,300 (5126)	10,400 (4717)	9700 (4400)
	12 (3.6)	18,000 (8165)	17,000 (7711)	15,800 (7167)	10,600 (4808)	14,000 (6350)

CONTACT FACTORY FOR ML20 – ML22 DATA Maximum stacking capacity on a horizontal level surface; load ratings comply with ASME/ANSI B56.1 b - 2005; Safety Standards for low lift and high lift trucks

STANDARD EQUIPMENT: LPG engine or diesel engine • Emissions compliant • Hydraulic Piston pump • All-wheel hydrostatic drive • All-wheel power steering • Hydraulic oil cooler • All-wheel enclosed wet disc brakes • Inching/brake pedal • Park brake with indicator • Open FOPS/ROPS Compartment • Ergonomic control layout • Weather-proof switches • Fully molded adjustable (tilt/telescopic) steering column • Rubber insulated cab mount • Roof glass • Low profile mechanical suspension seat with lumbar adjustment and retractable seat belt • Grab handles and cab step • Full backlit gauge cluster including; fuel (diesel engines only), water temperature, engine oil pressure, AMP meter • Indicator lights including; water temperature, engine oil,

battery, parking brake, fuel control • Duplex I-beam mast • Sealed roller mast bearings • Clear View design • Premium mast chain • Sealed, hardened chain pulleys • Shaft carriage • Shaft forks • 12 Volt negative ground system • 575 CCA battery • 70 AMP alternator • Labeled fuse panel.

OPTIONAL EQUIPMENT: Remote Online Diagnostic System • Solid steel frame construction • Steel hydraulic and fuel tanks • Large heavy-duty slew bearings • Lockable fuel, hydraulic, engine hood and battery compartment • Amber strobe light • 4-way light package • 10 micron filtration system • Horn and back-up alarm • Super elastic tires • Tie down provisions • Enclosed all-weather cab • Cab heater and fan • AM/FM CD sound

system • Cup holder • Cab dome light • Customizable masts, carriages and forks • Spreader bars up to 360" • Grapple • Fork positioning • Auxiliary hydraulics • Free lift • Custom colors • Special platform lengths • Guide roller system.



Liftking is ISO 9001:2008 registered (EN ISO 9001:2008; BS EN ISO 9001:2008; ANSI/ASQ Q9001:2008)

